

STFLEX



Blower DC
Fan

51mm
~182mm

445-743) 경기도 화성시 봉담읍 와우리 수원대학교 창업보육센터 1001호

TEL : 070-8742-3551

FAX : 031-898-8522

<http://www.stflex.co.kr>

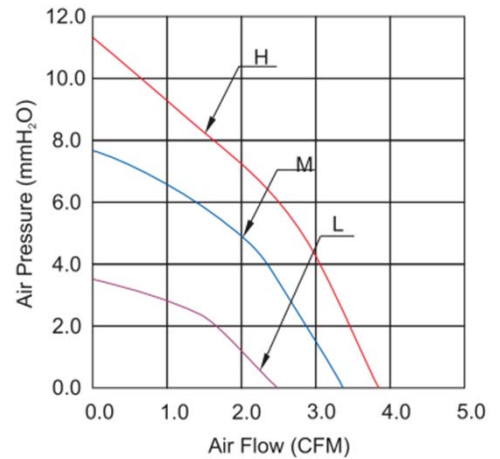
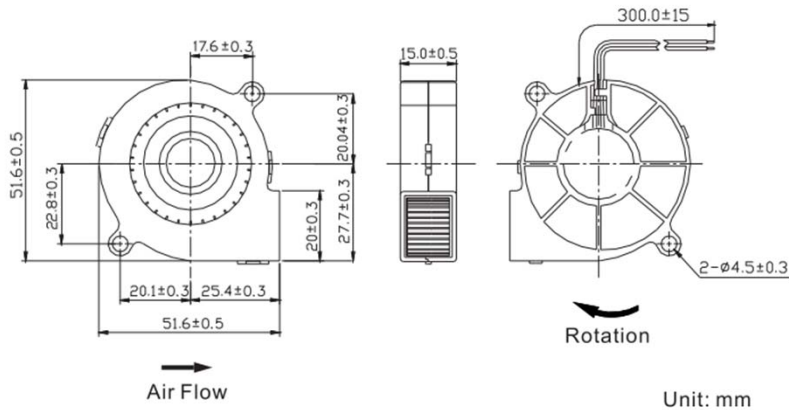
Blower DC Fan

Size : 51 x 51 x 15mm



- Material
Impeller & Frame : Plastic(UL 94V-0)
- Bearing
S : Sleeve Bearing / B : Ball Bearing
- Wire
UL 1007 AWG #26 or Equivalent

Item No.	Bearing	Rated Voltage (V DC)	Rated Current (A)	Input Power (Watt)	Speed (RPM)	Air Flow (CFM)	Static Pressure (Inch-H ₂ O)	Noise Level (dBA)
RBL5015S(B)5	S/B	5V	0.13	0.65	3000	2.4	0.44	26
RBM5015S(B)5	S/B	5V	0.22	1.1	4000	3.4	0.29	35
RBH5015S(B)5	S/B	5V	0.33	1.65	4500	3.8	0.14	37
RBL5015S(B)	S/B	12V	0.05	0.6	3000	2.4	0.14	26
RBL5015S(B)	S/B	12V	0.09	1.08	4000	3.4	0.29	35
RBL5015S(B)	S/B	12V	0.14	1.68	5000	4.4	0.45	41
RBL5015S(B)2	S/B	24V	0.05	1.2	3500	2.9	0.29	30
RBL5015S(B)2	S/B	24V	0.08	1.92	4000	3.4	0.29	35
RBL5015S(B)2	S/B	24V	0.12	2.88	5000	4.4	0.45	41



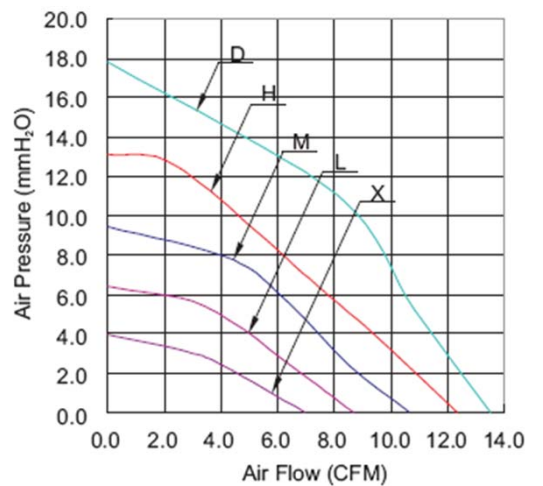
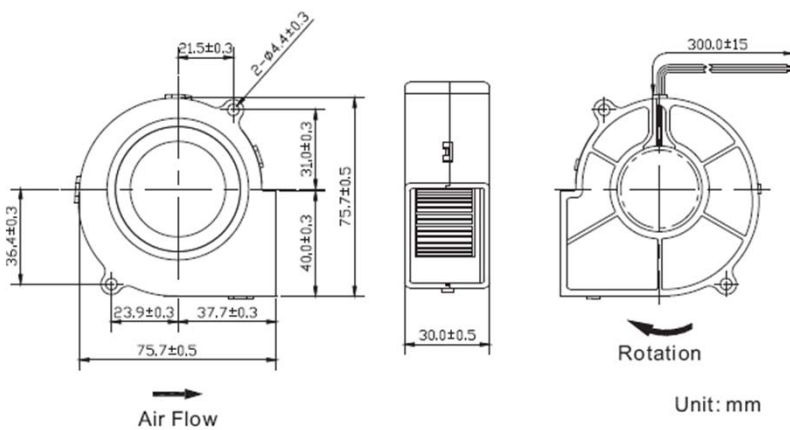
Blower DC Fan

Size : 75 x 75 x 30mm

- Material
Impeller & Frame : Plastic(UL 94V-0)
- Bearing
S : Sleeve Bearing / B : Ball Bearing
- Wire
UL 1007 AWG #26 or Equivalent



Item No.	Bearing	Rated Voltage (V DC)	Rated Current (A)	Input Power (Watt)	Speed (RPM)	Air Flow (CFM)	Static Pressure (Inch-H ₂ O)	Noise Level (dBA)
RBX7530S(B)1	S / B	12	0.13	1.56	2000	6.9	0.15	28
RBL7530S(B)1	S / B		0.18	2.16	2500	8.6	0.25	36
RBM7530S(B)1	S / B		0.27	3.24	3000	10.6	0.37	38
RBH7530S(B)1	S / B		0.45	5.4	3500	12.3	0.52	43
RBD7530S(B)1	S / B		0.5	6.0	3800	13.5	0.69	45
RBX7530S(B)2	S / B	24	0.09	2.16	2000	6.9	0.15	28
RBL7530S(B)2	S / B		0.12	2.88	2500	8.6	0.25	36
RBM7530S(B)2	S / B		0.18	4.32	3000	10.6	0.37	38
RBH7530S(B)2	S / B		0.24	5.76	3500	12.3	0.52	43
RBD7530S(B)2	S / B		0.30	7.2	3800	13.5	0.69	45



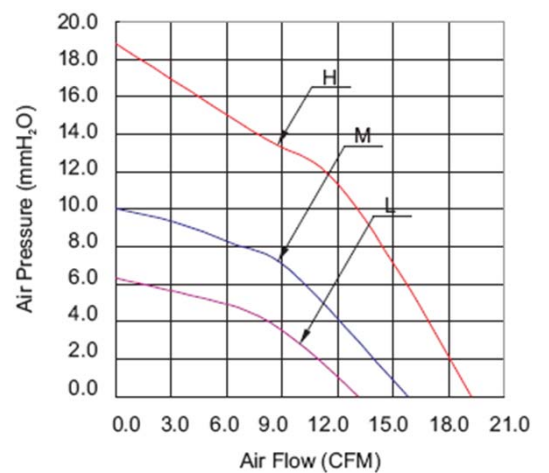
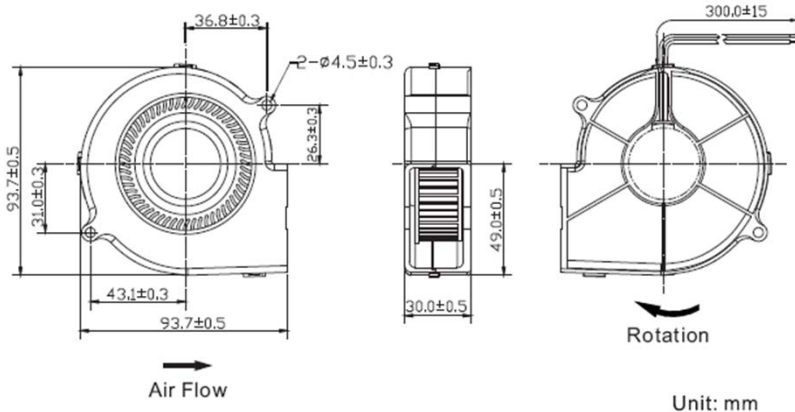
Blower DC Fan

Size : 93 x 93 x 30mm



- Material
Impeller & Frame : Plastic(UL 94V-0)
- Bearing
S : Sleeve Bearing / B : Ball Bearing
- Wire
UL 1007 AWG #26 or Equivalent

Item No.	Bearing	Rated Voltage (V DC)	Rated Current (A)	Input Power (Watt)	Speed (RPM)	Air Flow (CFM)	Static Pressure (Inch-H ₂ O)	Noise Level (dBA)
RBL9330S(B)1	S / B	12	0.20	2.4	2100	13.0	0.25	38
RBM9330S(B)1	S / B		0.30	3.6	2500	15.8	0.39	42
RBH9330S(B)1	S / B		0.45	5.4	3000	19.2	0.74	45
RBL9330S(B)2	S / B	24	0.10	2.4	2100	13.0	0.25	38
RBM9330S(B)2	S / B		0.15	3.6	2500	15.8	0.39	42
RBH9330S(B)2	S / B		0.35	8.4	3000	19.2	0.74	45



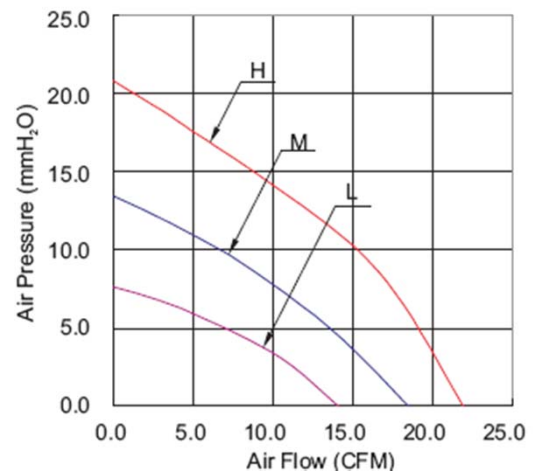
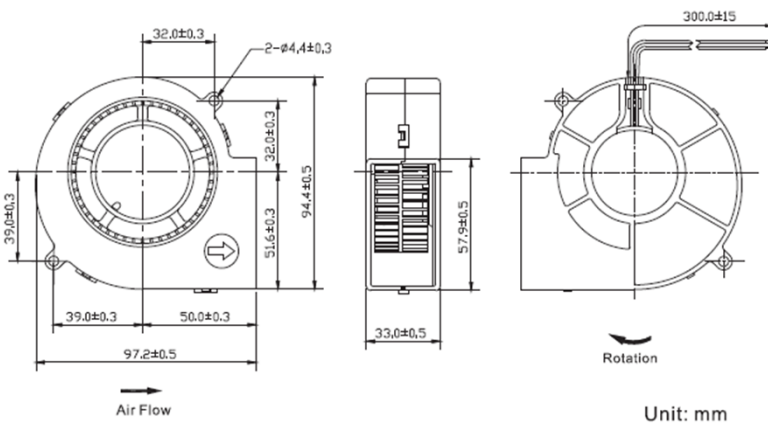
Blower DC Fan

Size : 97 x 94 x 33mm

- Material
Impeller & Frame : Plastic(UL 94V-0)
- Bearing
S : Sleeve Bearing / B : Ball Bearing
- Wire
UL 1007 AWG #26 or Equivalent



Item No.	Bearing	Rated Voltage (V DC)	Rated Current (A)	Input Power (Watt)	Speed (RPM)	Air Flow (CFM)	Static Pressure (Inch-H ₂ O)	Noise Level (dBA)
RBL9733S(B)	S / B	12	0.30	3.6	2200	14.0	0.29	40
RBM9733S(B)	S / B		0.50	6.0	2800	18.4	0.53	45
RBH9733S(B)	S / B		0.80	9.6	3300	21.9	0.82	50
RBL9733S(B)2	S / B	24	0.20	4.8	2200	14.0	0.29	40
RBM9733S(B)2	S / B		0.35	8.4	2800	18.4	0.53	45
RBH9733S(B)2	S / B		0.55	13.2	3300	21.9	0.82	50
RBL9733S(B)4	S / B	48	0.15	7.2	2200	14.0	0.29	40
RBM9733S(B)4	S / B		0.20	9.6	2800	18.4	0.53	45
RBH9733S(B)4	S / B		0.30	14.4	3300	21.9	0.82	50



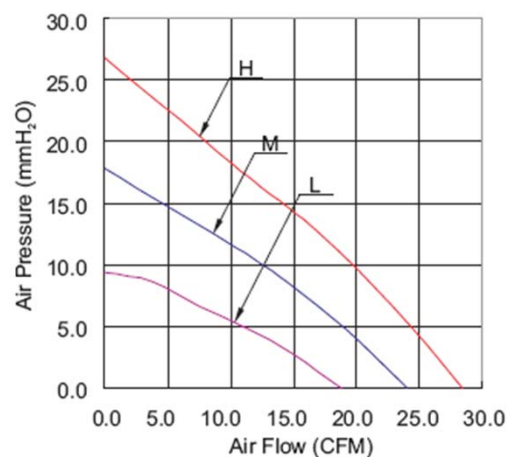
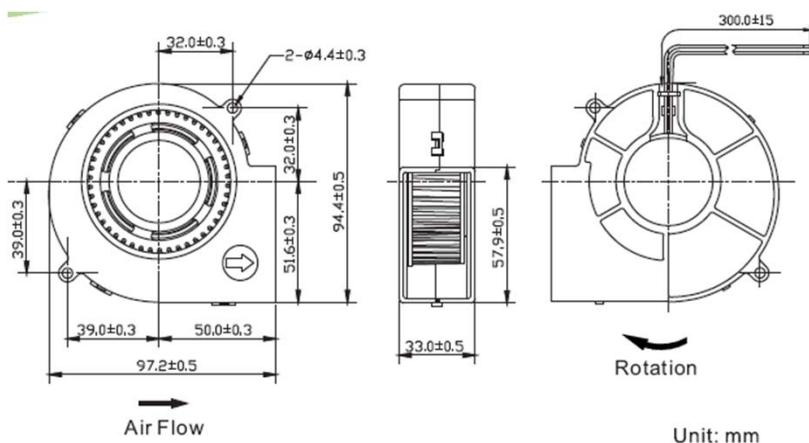
Blower DC Fan

Size : 97 x 94 x 33mm

- Material
Impeller & Frame : Plastic(UL 94V-0)
- Bearing
S : Sleeve Bearing / B : Ball Bearing
- Wire
UL 1007 AWG #26 or Equivalent



Item No.	Bearing	Rated Voltage (V DC)	Rated Current (A)	Input Power (Watt)	Speed (RPM)	Air Flow (CFM)	Static Pressure (Inch-H ₂ O)	Noise Level (dBA)
RBL9733S(B)	S / B	12	0.30	3.6	2200	18.8	0.37	45
RBM9733S(B)	S / B		0.50	6.0	2800	24.0	0.70	51
RBH9733S(B)	S / B		0.80	9.6	3300	28.5	1.06	55
RBL9733S(B)2	S / B	24	0.20	4.8	2200	18.8	0.37	45
RBM9733S(B)2	S / B		0.35	8.4	2800	24.0	0.70	51
RBH9733S(B)2	S / B		0.55	13.2	3300	28.5	1.06	55
RBL9733S(B)4	S / B	48	0.15	7.2	2200	18.8	0.37	45
RBM9733S(B)4	S / B		0.20	9.6	2800	24.0	0.70	51
RBH9733S(B)4	S / B		0.30	14.4	3300	28.5	1.06	55



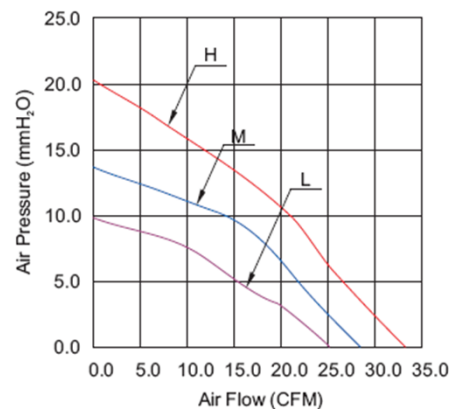
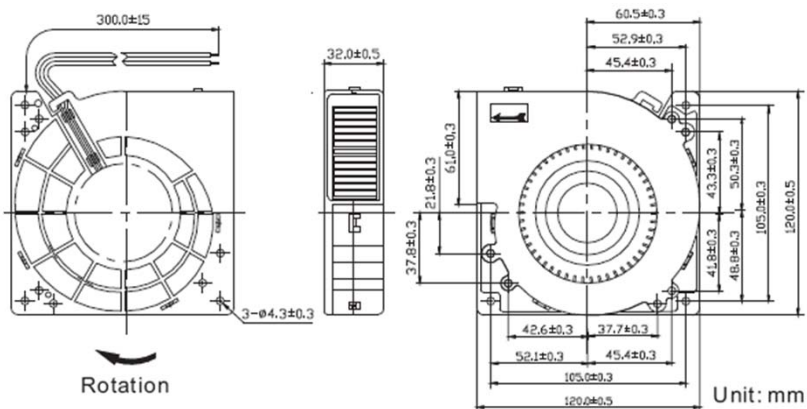
Blower DC Fan

Size : 120 x 120 x 32mm



- Material
Impeller & Frame : Plastic(UL 94V-0)
- Bearing
B : Ball Bearing
- Wire
UL 1007 AWG #26 or Equivalent

Item No.45	Bearing	Rated Voltage (V DC)	Rated Current (A)	Input Power (Watt)	Speed (RPM)	Air Flow (CFM)	Static Pressure (Inch-H2O)	Noise Level (dBA)
RBL1232B	B	12	0.49	5.88	1600	25.0	0.38	45
RBM1232B	B		0.60	7.2	1800	28.2	0.52	47
RBH1232B	B		0.87	10.44	2100	33.1	0.79	51
RBL1232B2	B	24	0.28	6.72	1600	25.0	0.38	45
RBM1232B2	B		0.35	8.4	1800	28.2	0.52	47
RBH1232B2	B		0.5	12	2100	33.1	0.79	51
RBL1232B4	B	48	0.15	7.2	1600	25.0	0.38	45
RBM1232B4	B		0.20	9.6	1800	28.2	0.52	47
RBH1232B4	B		0.30	14.4	2100	33.1	0.79	51



Blower DC Fan

Size : 182 x 171 x 82mm



- Material
Impeller & Frame : Plastic(UL 94V-0)
Frame : SECC
- Bearing
B : Ball Bearing
- Wire
UL 1007 AWG #26 or Equivalent

Item No.45	Bearing	Rated Voltage (V DC)	Rated Current (A)	Input Power (Watt)	Speed (RPM)	Air Flow (CFM)	Static Pressure (Inch-H ₂ O)	Noise Level (dBA)
RBH1881B2	B	24	2.2	52.8	2000	136.8	2.51	63
RBH1881B4	B	48	1.1	52.8	2000	136.8	2.51	63

